

KTSB-0412-12-1-TP	
Ballast Type	Magnetic
Starting Method	Rapid Start
Lamp Connection	Series
Input Voltage	120Vac +5% -10%
Input Frequency	60Hz

ELECTRICAL SPECIFICATIONS:

Lamp Type	No. of Lamp	Lamp Footage	Input Watts	Input Current (Amps)	Power Factor	Crest Factor	Ballast Factor	Ballast Efficacy Factor	Max. THD %
F24T12/HO	2	4	90	0.90	0.84	2.1	0.78	0.87	55
F48T12/HO	1	4	80	0.82	0.84	2.1	0.77	0.96	55
F48T12/HO	2	8	130	1.13	0.97	2.0	0.85	0.65	20
F72T12/HO	1	6	100	0.92	0.92	2.0	0.81	0.81	35
F72T12/HO	2	12	170	1.48	0.98	1.9	0.89	0.52	15
F96T12/HO	1	8	120	1.03	0.96	2.0	0.84	0.70	25

PERFORMANCE:

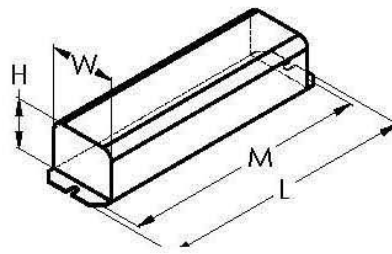
- Minimum Starting Temperature: -20°F
- Maximum Ballast Case Temperature: 194°F, 90°C
- OCV: 480V
- 3-Year warranty

APPROVALS:

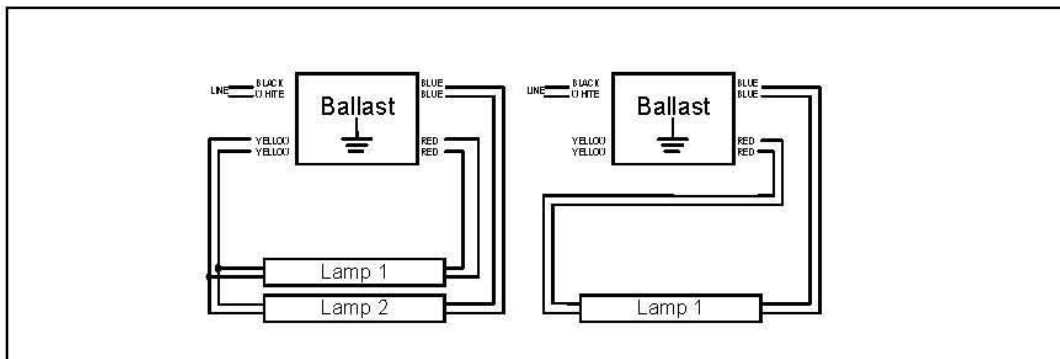
- UL & cUL 935 Listed (Class P, Outdoor, Type 2)
- Thermally Protected

PHYSICAL DIMENSIONS:

Length (L):	11.75"
Width (W):	3.19"
Height (H):	2.60"
Mounting (M):	11.0"



WIRING DIAGRAM:



KTSB-0620-24-1-TP	
Ballast Type	Magnetic
Starting Method	Rapid Start
Lamp Connection	Series
Input Voltage	120Vac +5% -10%
Input Frequency	60Hz

ELECTRICAL SPECIFICATIONS:

Lamp Type	No. of Lamp	Lamp Footage	Input Watts	Input Current (Amps)	Power Factor	Crest Factor	Ballast Factor	Ballast Efficacy Factor	Max. THD %
F36T12/HO	2	6	115	1.41	0.87	2.0	0.87	0.76	45
F60T12/HO	4	20	300	2.56	0.95	1.7	1.06	0.35	15
F72T12/HO	3	18	240	2.34	0.99	1.8	0.96	0.40	15

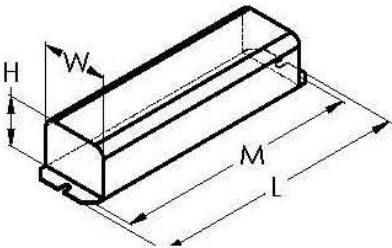
PERFORMANCE:

- Minimum Starting Temperature: -20°F
- Maximum Ballast Case Temperature: 194°F, 90°C
- OCV: 600V
- 3-Year warranty

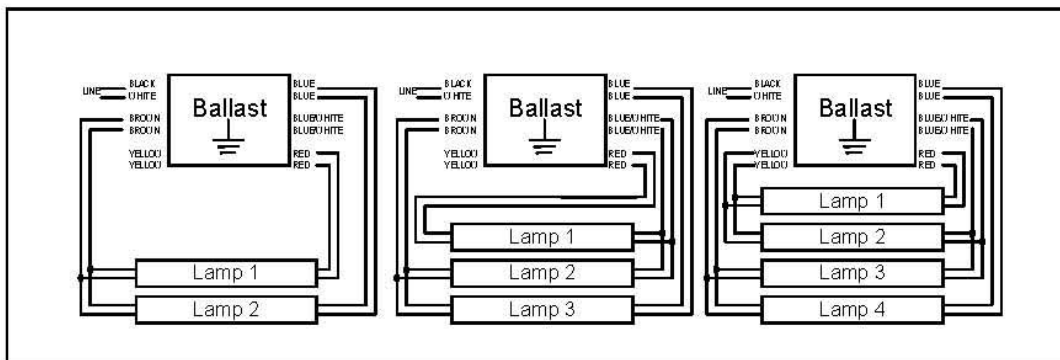
APPROVALS:

- UL & cUL 935 Listed (Class P, Outdoor, Type 2)
- Thermally Protected

PHYSICAL DIMENSIONS:

<p>Length (L): 11.75" Width (W): 3.19" Height (H): 2.60" Mounting (M): 11.0"</p>	
--	--

WIRING DIAGRAM:



KTSB-1224-24-1-TP	
Ballast Type	Magnetic
Starting Method	Rapid Start
Lamp Connection	Series
Input Voltage	120Vac +5% -10%
Input Frequency	60Hz

ELECTRICAL SPECIFICATIONS:

Lamp Type	No. of Lamp	Lamp Footage	Input Watts	Input Current (Amps)	Power Factor	Crest Factor	Ballast Factor	Ballast Efficacy Factor	Max. THD %
F72T12/HO	2	12	170	1.6	0.87	1.9	0.82	0.48	25
F72T12/HO	3	18	230	2.1	0.96	1.8	0.82	0.36	15
F72T12/HO	4	24	285	2.7	0.99	1.7	0.84	0.29	10

PERFORMANCE:

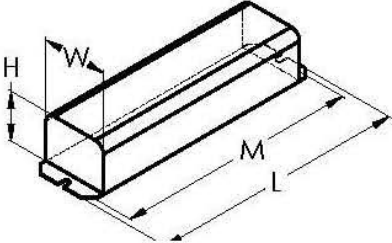
- Minimum Starting Temperature: -20°F
- Maximum Ballast Case Temperature: 194°F, 90°C
- OCV: 785V
- 3-Year warranty

APPROVALS:

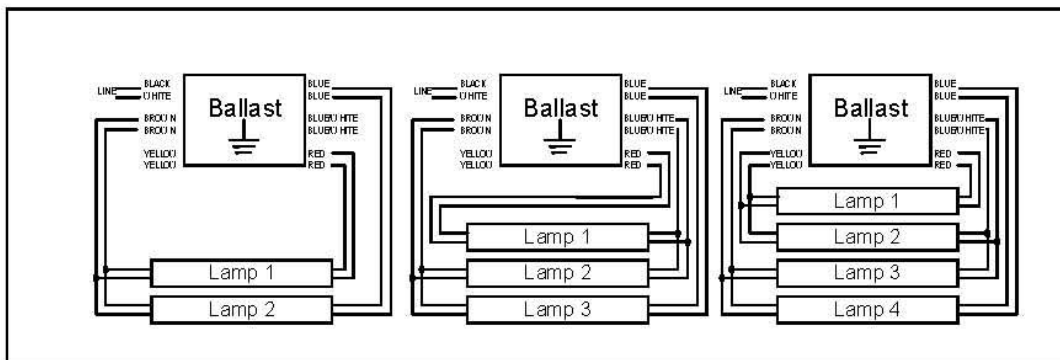
- UL & cUL 935 Listed (Class P, Outdoor, Type 1)
- Thermally Protected

PHYSICAL DIMENSIONS:

Length (L):	14.31"
Width (W):	3.19"
Height (H):	2.63"
Mounting (M):	13.75"



WIRING DIAGRAM:



KTSB-2040-24-1-TP	
Ballast Type	Magnetic
Starting Method	Rapid Start
Lamp Connection	Series
Input Voltage	120Vac +5% -10%
Input Frequency	60Hz

ELECTRICAL SPECIFICATIONS:

Lamp Type	No. of Lamp	Lamp Footage	Input Watts	Input Current (Amps)	Power Factor	Crest Factor	Ballast Factor	Ballast Efficacy Factor	Max. THD %
F120T12/HO	2	20	225	2.7	0.78	1.8	0.86	0.38	25
F120T12/HO	3	30	318	3.1	0.95	1.8	0.82	0.26	10
F120T12/HO	4	40	412	4	0.98	1.7	0.8	0.19	15

PERFORMANCE:

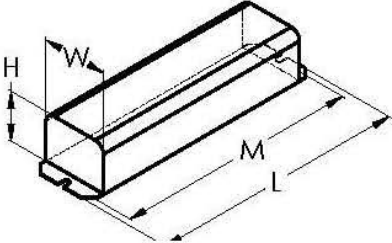
- Minimum Starting Temperature: -20°F
- Maximum Ballast Case Temperature: 194°F, 90°C
- OCV: 720V
- 3-Year warranty

APPROVALS:

- UL & cUL 935 Listed (Class P, Outdoor, Type 2)
- Thermally Protected

PHYSICAL DIMENSIONS:

Length (L):	19.19"
Width (W):	3.19"
Height (H):	2.69"
Mounting (M):	18.63"



WIRING DIAGRAM:

